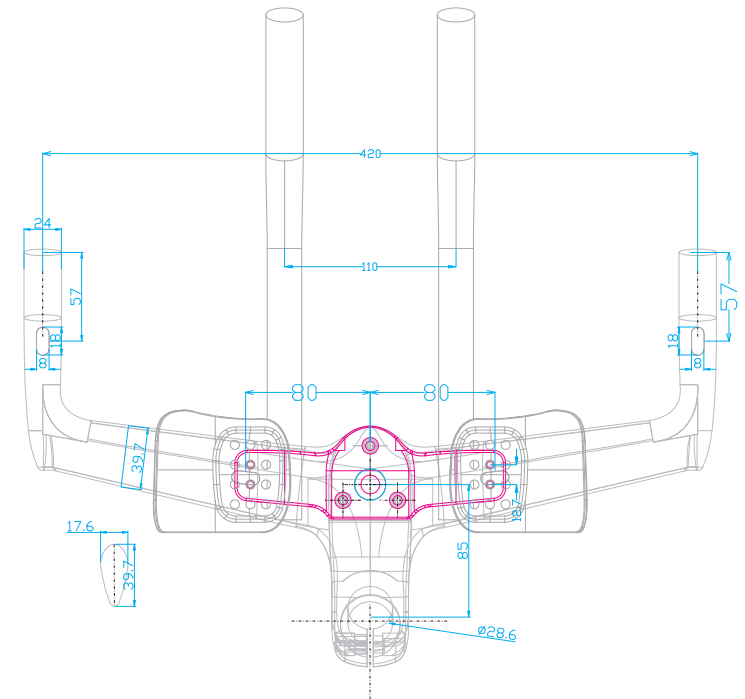
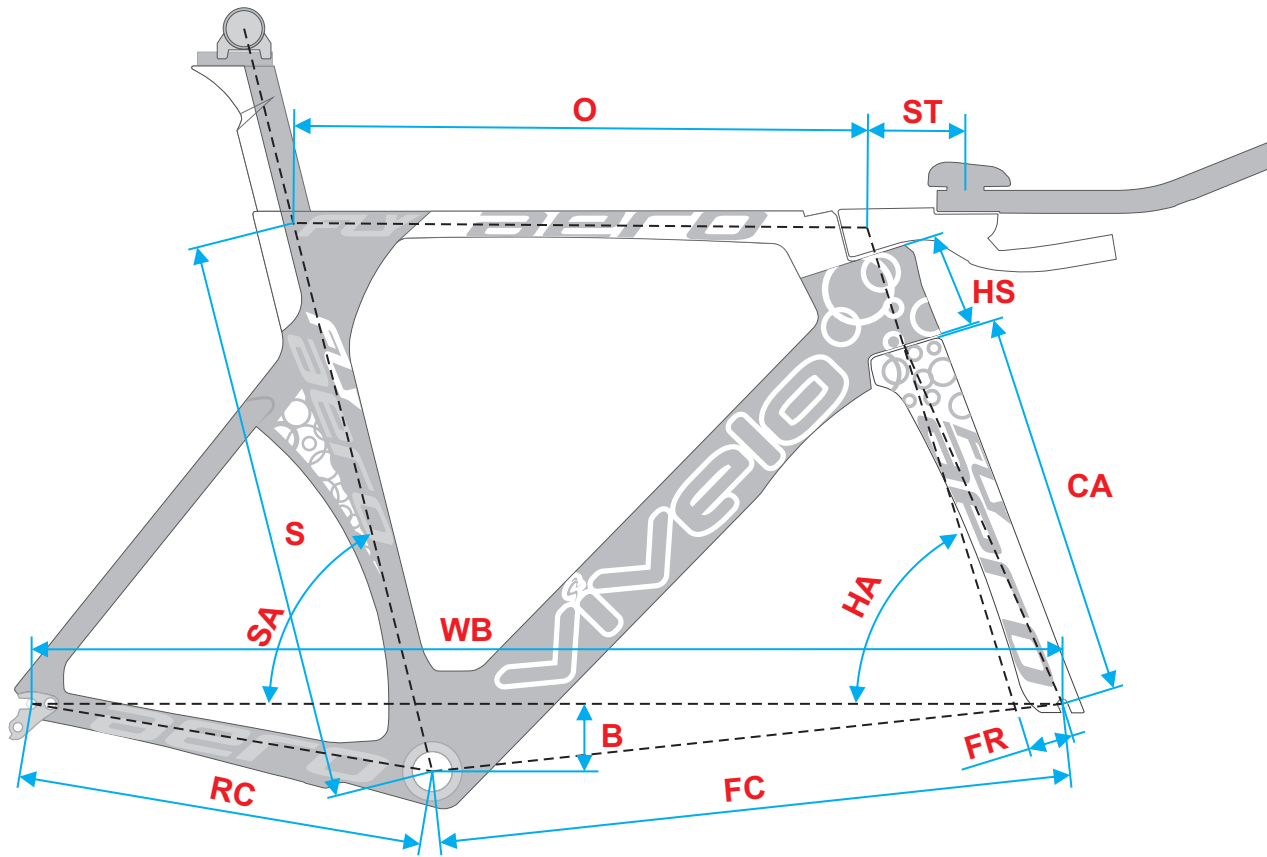


vivelo

FLY aero

Geometry



Size	S	O	HS	WB	FC	RC	B	SA	HA	FL	OT	ST
50	500	490	70	931.1	550.4	390	65	76°	72.5°	370	43	85
52	520	517	82.8	959.4	578.5	390	65	76°	72.5°	370	43	85
54	540	550	97.8	989.2	608.1	390	65	76°	73°	370	43	85
56	560	570	115.4	1010.3	629.1	390	65	76°	73°	370	43	85

S - SEAT TUBE LENGTH (CENTER TO TOP), **O** - TOP TUBE LENGTH (HORIZONTAL), **HS** - HEAD TUBE LENGTH, **WB** - WHEEL BASE, **FC** - FRONT CENTRE, **RC** - CHAINSTAY LENGTH (CENTER TO CENTER), **B** - BOTTOM BRACKET DROP, **HA** - HEAD ANGLE, **CA** - FORK AXLE TO CROWN, **OT** - FORK RAKE, **ST** - STEM LENGTH